

Panel·Glide®

Sectional Overhead Garage Door

U value (EN13241)	1.4-1.6 W/m²K
Water Penetration (EN12425)	Class 3, 150Pa
Resistance to wind load (EN12424)	Class 5, 1100Pa
Air Permeability (EN12426)	Class 3

Minimum clearances manual/automatic doors:

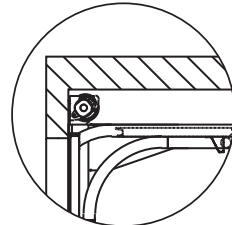
Rear Mount:

- Sideroom 90mm
- Headroom 110/150mm
- With t-bar handle lockset (motor offset)
- Sideroom 90mm
- Headroom 155mm
- With round handle lockset (motor offset)
- Sideroom 90mm
- Headroom 170mm

Minimum clearances manual/automatic doors:

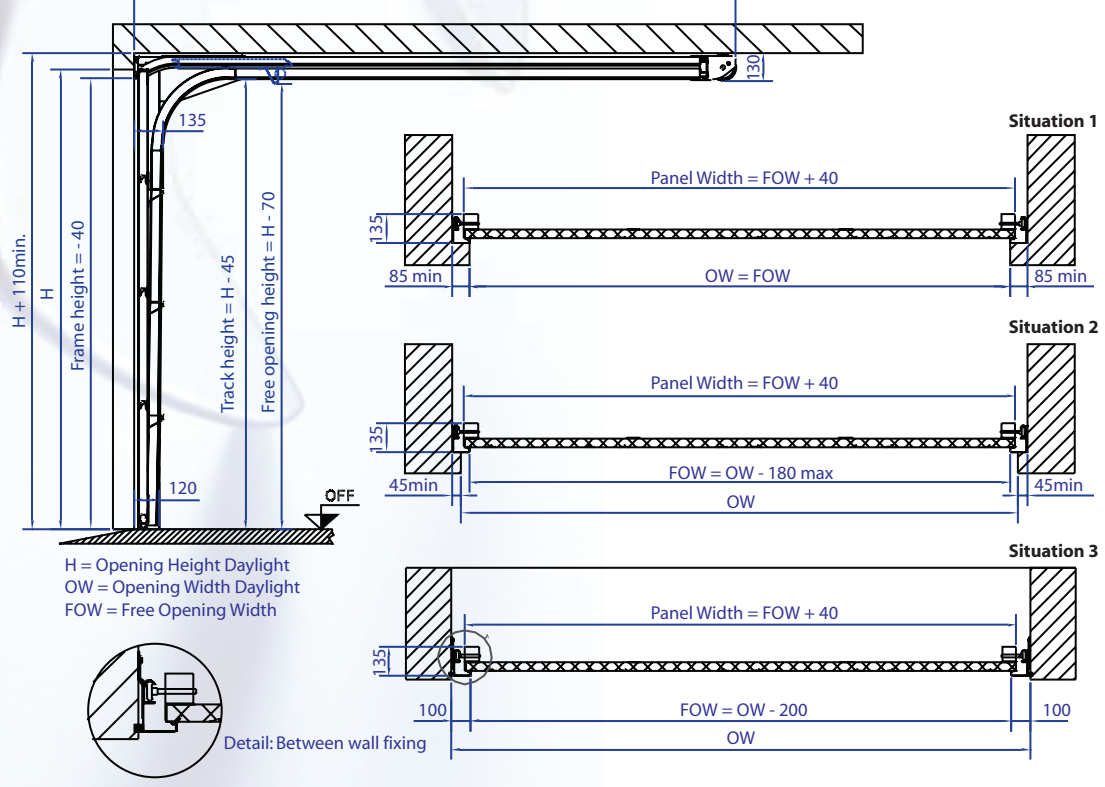
Front Mount:

- Sideroom 90mm
- Headroom 230/270mm
- With t-bar handle lockset
- Sideroom 90mm
- Headroom 230/270mm
- With round handle lockset
- Sideroom 90mm
- Headroom 230/270mm

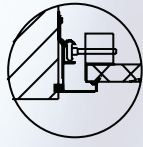


Detail: Front mount spring

Structural Depth
 Doors up to 2150 high = 2250+660mm
 Doors from 2150-2400 = 2500+660mm
 Doors from 2400-2900 = 3000+660mm



H = Opening Height Daylight
 OW = Opening Width Daylight
 FOW = Free Opening Width



Detail: Between wall fixing

Fascias and fixing accessories

Between Reveal Fitting Kit
 Kit includes fascias for frame legs, frame head and side wall fixing brackets

Detail 'A'

Fascia for side section 20mm

Fascia for side section (see detail 'A')

Gap to Ceiling Fascia Kit
 Kit includes frame header fascia and infill section

Ceiling

Infill section to fill gap above door

Door top header piece part of standard frame

Renovation Kit
 To cover unsightly brickwork around the garage opening. Kit includes fascias for frame legs, frame head and fitting brackets

Door Frame Fascias
 To clad exposed door frame. Kit includes fascias for frame legs, frame head and fitting brackets

Frame leg section

Side Fascia for header Section



Technical

This overview covers all the key dimensions for the installation of the Gliderol range of garage doors.



Glidermatic doors require an extra 20mm side clearance on the side the drive unit is required to be fitted.

Sizes - GlideRol-a-Door up to 5m wide and 3m high. GlideRol-a-Door Mini up to 3.4m wide and 2.1m high.

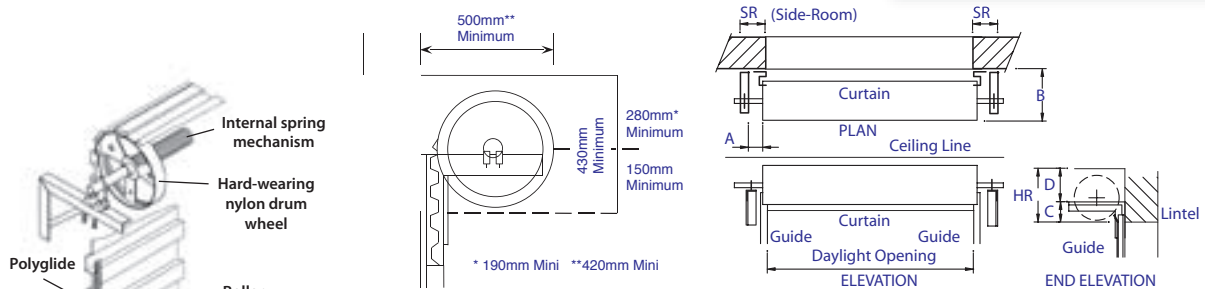
Windlock system - should be specified for double doors in very exposed locations and greater side room clearance is required. For advice and information, speak to our technical department or your supplier.



GLIDEROL
GARAGE DOORS

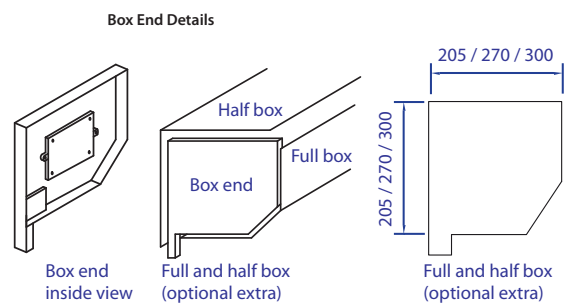
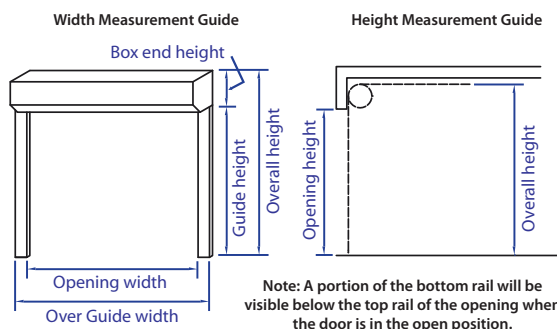
Opening Doors Around the World®

www.gliderol.co.uk

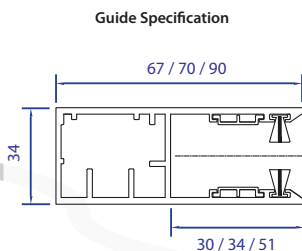


DIMENSION PANEL (minium sizes) mm							
SERIES A (Hand Operated)	Side Room		Head Room	A	B	C	D
	Resid.A	Resid.AA					
2100 HIGH	90	125	430	25-100	500	150	280
2400 HIGH	90	125	450	25-100	540	160	290
2700 HIGH	90	125	450	25-100	540	160	290
3000 HIGH	90	125	470	25-100	560	170	300
Mini							
2100 HIGH	90	-	340	25-100	420	150	190

If recommended headroom is not available the door may still be installed, required headroom should be maintained (n.b. some loss of opening height will occur and the roll of the door will be visible, but this may be disguised by a fascia).



Note: Full and half boxes are available to match painted coloured door curtains. Vandyke Brown boxes are supplied as standard for laminated door curtains.



Notes on colour: Door guides are available in colours matching the door curtain except laminate door colours (supplied in brown). Coloured guide rails are supplied as standard, however they may not match the lath colour. The manufacturing process for the lath profile results in a textured finish, whilst all other coloured items (guides, bottom laths, lock laths, optional fascias and vision panels) are supplied in a satin finish so cannot be guaranteed to match exactly. Over time, some scuffing may occur on front and rear surfaces of doors as a result of their normal operation.

Fixing Options

